

UniOP eTOP605

eTOP Series 600 HMI products combine state-of-the-art features and top performance with an outstanding design. They are the ideal choice for all demanding HMI applications including factory and building automation.

The glass projected capacitive touchscreen and the brilliant 5" widescreen display with resolution of 800x480 guarantee great optical performance and are up to the most demanding user interface requirements

The JMobile software offers full vector graphic and plenty of connectivity options.



- 5" TFT color display, resolution 800x480 pixel, 64K colors
- LED backlight dimmable to 0%
- Projected capacitive touchscreen. True glass design
- 2 Ethernet ports with switch function
- 1 USB Host port
- SD Card slot
- Plug-in modules for system expansion

Highlights

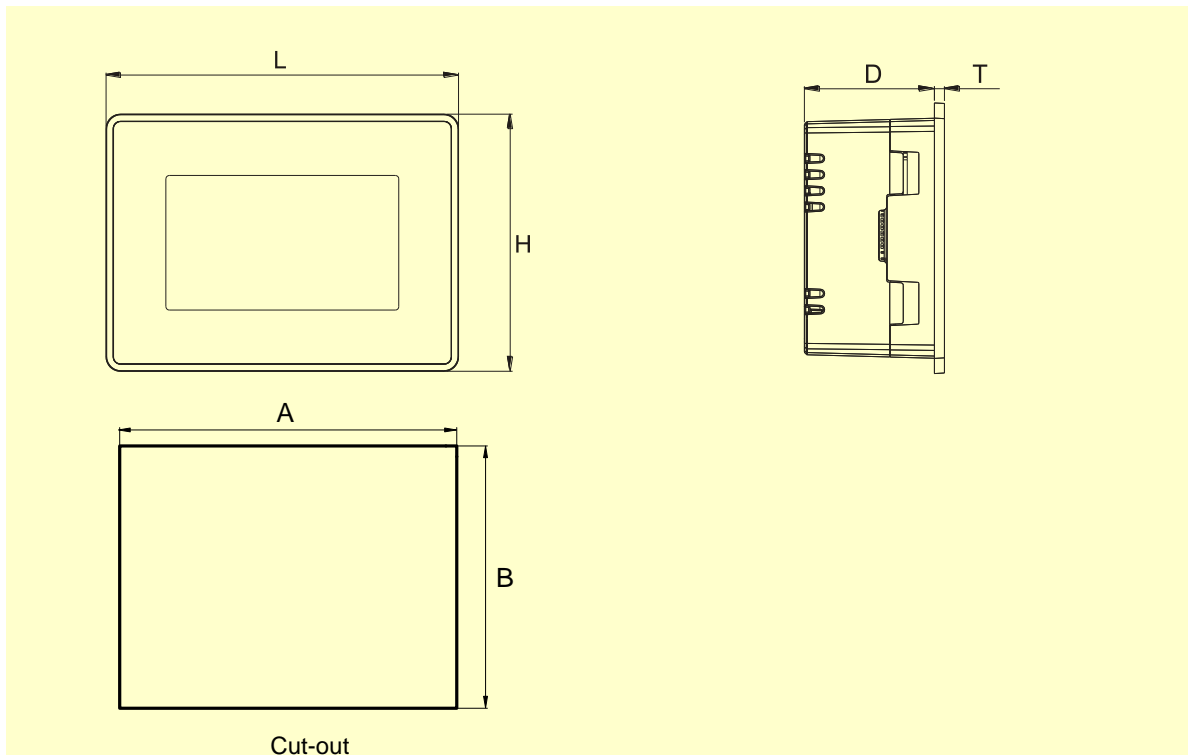
The eTOP Series 600 HMI panels have been designed to run the JMobile software.

- JMobile runtime included.
- Full vector graphic support. Native support of SVG graphic objects. Transparency and alpha blending.
- Full object dynamics: control visibility and transparency, move, resize, rotate objects on screen. Change properties of basic and complex objects.
- TrueType fonts
- Multilanguage applications. Easily create and manage your applications in multiple languages to meet global requirements.
- Rich set of state-of-the-art HMI features: graphical presentation of data presentation, data acquisition, alarm handling, scheduler and timed actions, recipe data storage, users and passwords, e-mail and RSS feeds, rotating menus.
- Indexed addressing and cross-reference viewer.
- Wide selection of communication drivers for factory and building automation.
- Multiple drivers communication capability.
- Remote monitoring and control. Client-Server functionality. Mobile clients supported.
- Remote maintenance and support with VNC-based functionality.
- Off-line and on-line simulation of the HMI application with JMobile Studio.
- Powerful scripting language for automating HMI applications. Includes script debugger.
- Create and print reports to printers and to file.
- Page templates to simplify application design.
- Rich gallery of symbols and objects.
- IP camera widget
- Optional CODESYS PLC

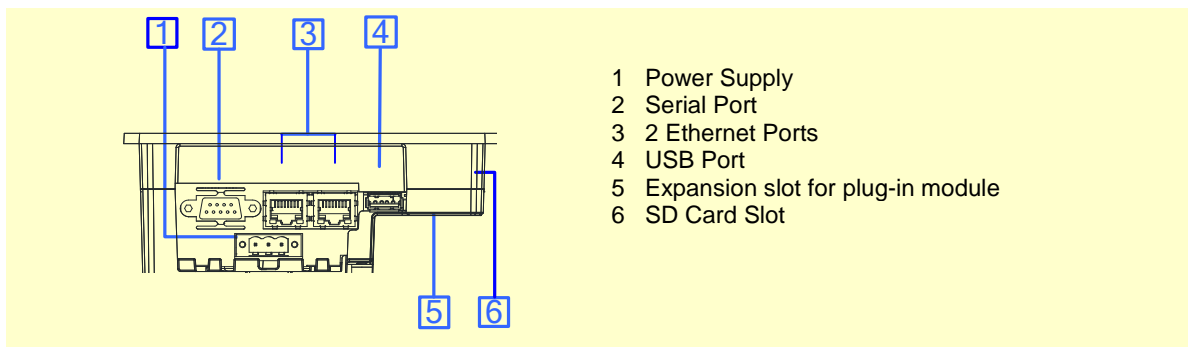
Technical Data

Display		Battery	Rechargeable Lithium battery, not user-replaceable
Type	TFT	Environmental Conditions	
Resolution	800x480, WVGA	Operating temperature	-20° to +60 °C (vertical installation) Plug-in modules and USB devices may limit max temperature to +50 °C.
Active display area	5" diagonal	Storage temperature	-20 to +70 °C
Colors	64K	Operating and storage humidity	5 – 85 % relative humidity, non-condensing
Backlight	LED	Protection class	IP66 (front) IP20 (rear)
Brightness	200 Cd/m ² typ.	Dimensions	
Dimming	Dimmable to 0%	Faceplate LxH	147x107 mm (5.78x4.21")
System Resources		Cutout AxB	136x96 mm (5.35x3.78")
Operating System	Microsoft Windows CE 6.0	Depth D+T	56+8 mm (2.40+0.31")
User memory	128 MB Flash	Approvals	
RAM	256MB DDR	CE	Emission EN 61000-6-4 Immunity EN 61000-6-2 for installation in industrial environments
Operator Interface		DNV Pending approval	DNV Type Approval Certificate
Touchscreen	Projected capacitive	ATEX Pending approval	Zone 2/22, II 3G / II 3D
LED indicators	-	UL Pending approval	UL508 Listed Haz. Loc. Class I, Division 2, Groups A,B,C and D.
Interface		C-Tick Pending approval	C-Tick mark
Ethernet	2 10/100 Mbit with integrated Switch		
USB	1 Host Interface (version 2.0 and 1.1)		
Serial	RS-232, RS-485, RS-422, software configurable Max 2 serial ports with optional plug-in modules.		
Memory Card Expansion	SD Card slot 1 slot for optional plug-in modules		
Functionality			
Hardware Real Time Clock	Yes, with battery back-up		
Screen saver	Yes		
Buzzer	Yes, audible feedback for touchscreen		
Ratings			
Power supply voltage	24 Vdc (10 to 32 Vdc)		
Current consumption	0.6 A at 24Vdc(max.)		
Fuse	Automatic		
Weight	Approx 1.0 Kg		

Dimensions



Connections



Ordering Information

Model	Part Number	Description
eTOP605	+ETOP605U5P1	5" widescreen TFT color with projected capacitive touchscreen. Ethernet, serial and USB interfaces. JMobile runtime.

ptn0434

Ver. 1.1

Copyright © 2014 Exor International S.p.A. – Verona, Italy

Subject to change without notice

The information contained in this document is provided for informational purposes only. While efforts were made to verify the accuracy of the information contained in this documentation, it is provided "as is" without warranty of any kind.

www.exorint.net