

# UniStream<sup>®</sup> Built-in

## Technical Specifications

**US5-B5-RA28, US5-B10-RA28**  
**US5-B5-TA30, US5-B10-TA30**  
**US7-B5-RA28, US7-B10-RA28**  
**US7-B5-TA30, US7-B10-TA30**

Unitronics' UniStream<sup>®</sup> Built-in series are PLC+HMI All-in-One programmable controllers that comprise built-in HMI and built-in I/Os.

### Model numbers in this document

- **Beginning:** model numbers beginning with USx refer to any member of the Built-in series
- **Middle:** the series is available in two versions: UniStream Built-in and UniStream Built-in Pro. Model numbers including:
  - **B5** refer to standard UniStream Built-in (e.g. USx-B5-RA28)
  - **B10** refer to UniStream Built-in Pro (e.g. USx-B10- RA28)  
B10 models offer additional features, detailed below.  
If the letter "B" is followed by "x" it refers to **both** B5 and B10 models.
- **End:** the end of the model number indicates the built-in I/O as shown in the example table below. This document provides the specifications for the I/Os.

Installation Guides are available in the Unitronics Technical Library at [www.unitronicsplc.com](http://www.unitronicsplc.com).

USx-Bx-RA28	USx-Bx-TA30
<ul style="list-style-type: none"> <li>• 14 x Digital inputs, 24VDC, sink/source, including 2 High speed counter input channels <sup>(1)</sup></li> <li>• 2 x Analog inputs, 0÷10V / 0÷20mA, 14 bits</li> <li>• 2 x Temperature inputs, RTD / Thermocouple</li> <li>• 8 x Relay outputs</li> <li>• 2 x Analog outputs, 0÷10V / -10÷10V / 0÷20mA / 4÷20mA, 12 bits</li> </ul>	<ul style="list-style-type: none"> <li>• 14 x Digital inputs, 24VDC, sink/source, including 2 High speed counter input channels <sup>(2)</sup></li> <li>• 2 x Analog inputs, 0÷10V / 0÷20mA, 14 bits</li> <li>• 2 x Temperature inputs, RTD / Thermocouple</li> <li>• 10 x Transistor outputs, pnp, including 2 PWM output channels</li> <li>• 2 x Analog outputs, 0÷10V / -10÷10V / 0÷20mA / 4÷20mA, 12 bits</li> </ul>

Power Supply	USx-Bx-RA28	USx-Bx-TA30
Input voltage	24VDC	24VDC
Permissible range	20.4VDC to 28.8VDC	20.4VDC to 28.8VDC
Max. current consumption	US5	0.48A@24VDC
	US7	0.57A@24VDC
Isolation	None	

Display	UniStream® Built-in	UniStream® Built-in
LCD type	TFT	
Backlight type	White LED	
Luminous intensity (brightness)	Typically 350 nits (cd/m2), at 25°C	Typically 400 nits (cd/m2), at 25°C
Backlight longevity <sup>2)</sup>	30k hours	
Resolution (pixels)	800 x 480 (WVGA)	
Size	5"	7"
Viewing area	Width x Height (mm) 108 x 64.8	Width x Height (mm) 154.08 x 85.92
Color support	65,536 (16bit)	
Surface treatment	Anti-glare	
Touch screen	Resistive Analog	
Actuation force (min)	> 80 g (0.176 lb)	

General		
I/O support	Up to 2,048 I/O points	
Built-in I/O	According to model	
Local I/O expansion	To add local I/Os, use UAG-CX I/O Expansion Adapters <sup>(3)</sup> . These adapters provide the connection point for standard UniStream Uni-I/O™ modules.	
Communication ports		
Built-in COM ports	Specifications are provided below in the section Communications	
Add-on Ports	Add up to 3 ports to a single controller using Uni-COM™ UAC-CX Modules <sup>(4)</sup> .	
Internal memory	UniStream® Built-in	UniStream® Built-in Pro
	RAM: 512MB ROM: 3GB system memory 1GB user memory	RAM: 1GB ROM: 6GB system memory 2GB user memory
Ladder memory	1 MB	
External memory	microSD or microSDHC card Size: up to 32GB Data Speed: up to 200Mbps	
Bit operation	0.13 μs	
Battery	Model: 3V CR2032 Lithium battery <sup>(5)</sup> Battery lifetime: 4 years typical, at 25°C Battery Low detection and indication (via the HMI and via System Tag).	

**Audio (Pro B10 models only)**

Bit Rate	192kbps
Audio compatibility	Stereo MP3 files
Interface	3.5mm Audio-out jack - use shielded audio cable of up to 3 m (9.84 ft)
Impedance	16Ω, 32Ω
Isolation	None

**Video (Pro B10 models only)**

Supported Formats	MPEG-4 Visual , AVC/H.264
-------------------	---------------------------

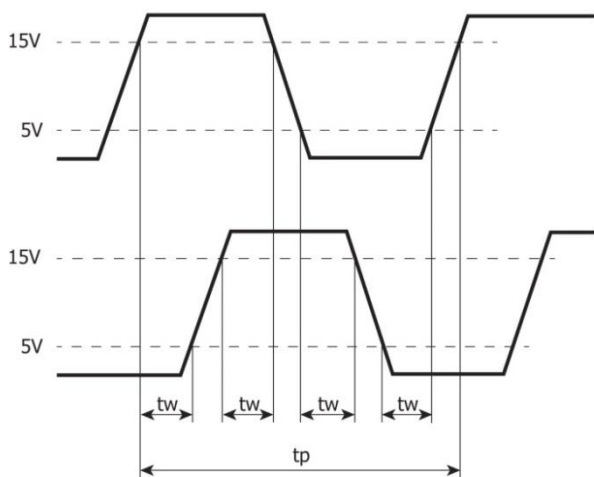
**Communication (Built-in Ports)**

Ethernet port	
Number of ports	1
Port type	10/100 Base-T (RJ45)
Auto crossover	Yes
Auto negotiation	Yes
Isolation voltage	500VAC for 1 minute
Cable	Shielded CAT5e cable, up to 100 m (328 ft)
USB device <sup>(6)</sup>	
Number of ports	1
Port type	Mini-B
Data rate	USB 2.0 (480Mbps)
Isolation	None
Cable	USB 2.0 compliant; < 3 m (9.84 ft)
USB host	
Number of ports	1
Port type	Type A
Data rate	USB 2.0 (480Mbps)
Isolation	None
Cable	USB 2.0 compliant; < 3 m (9.84 ft)
Over current protection	Yes

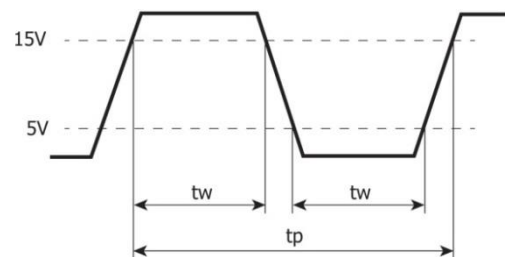
Digital Inputs	
Number of inputs	14
Type	Sink or Source
Isolation voltage	
Input to bus	500VAC for 1 minute
Input to input	None
Nominal voltage	I0-I9: 24VDC @ 6mA I10-I13: 24VDC @ 8mA
Input voltage	
Sink/Source	On state: 15-30VDC, 4mA min. Off state: 0-5VDC, 1mA max.
Nominal impedance	I0-I9: 4kΩ I10-I13: 3kΩ
Filter	I0-I9: 6ms typical I10-I13: 5.5μs, 50μs, 0.5ms, 6ms, 12ms

High speed inputs <sup>(1)</sup>	
Frequency / Period	Pulse/Direction mode: 90kHz max. / 11.1μs min ( $t_p$ in the Pulse/Dir Mode figure below). Quadrature mode: 80kHz max. / 12.5μs min ( $t_p$ in the Quadrature Mode figure below).
Pulse width	Pulse/Direction mode: 5.1μs min. for each state ( $t_w$ in Pulse/Dir Mode figure below). Quadrature mode: 2.5μs min. for each state ( $t_w$ in Quadrature Mode figure below).
Cable	Shielded twisted pair

Quadrature Mode



Pulse/Direction mode



<b>Analog Inputs</b>					
Number of inputs	2				
Input range <sup>(7)(8)</sup>	<b>Input Type</b>	<b>Nominal Values</b>		<b>Over-range Values *</b>	
	0 ÷ 10VDC	0 ≤ Vin ≤ 10VDC		10 < Vin ≤ 10.15VDC	
	0 ÷ 20mA	0 ≤ Iin ≤ 20mA		20 < Iin ≤ 20.3mA	
	* <b>Overflow</b> <sup>(0)</sup> is declared when an input value exceeds the Over-range boundary.				
Absolute maximum rating	±30V (Voltage), ±30V (Current)				
Isolation voltage					
Input to bus	500VAC for 1 minute				
Input to input	None				
Input to temperature inputs	None				
Conversion method	Delta-sigma				
Resolution	14 bits				
Accuracy (25°C / -20°C to 55°C)	±0.2% / ±0.5% of full scale (Voltage) ±0.2% / ±0.3% of full scale (Current)				
Input impedance	527kΩ (Voltage), 60.4Ω (Current)				
Noise rejection	10Hz, 50Hz, 60Hz, 400Hz				
Step response <sup>(10)</sup> (0 to 100% of final value)	<b>Smoothing</b>	<b>Noise Rejection Frequency</b>			
		400Hz	60Hz	50Hz	10Hz
	None	162.4ms	249.5ms	249.5ms	1242.4ms
	Weak	317.3ms	491.5ms	491.5ms	2477.3ms
	Medium	627.2ms	975.4ms	975.4ms	4947ms
Strong	1246.9ms	1943.3ms	1943.3ms	9886.5ms	
Update time <sup>(10)</sup>	<b>Noise Rejection Frequency</b>		<b>Update Time</b>		
	400Hz		154.9ms		
	60Hz		242ms		
	50Hz		242ms		
10Hz		1234.9ms			
Cable	Shielded twisted pair				
Diagnostics <sup>(11)</sup>	Analog input overflow				

<b>Temperature Inputs</b>			
Number of inputs	2		
Sensor Type	RTD (4, 3 and 2 wire <sup>(12)</sup> ), Themocouple		
Input range <sup>(13)</sup>	<b>Input type</b>	<b>Nominal values</b>	<b>Over/Under-range Values *</b>
	RTD PT100 0.00385 0.00392 0.00391	-200°C ≤ T ≤ 850°C (-328°F ≤ T ≤ 1,562°F)	Under-range: -220°C ≤ T < -200°C (-364°F ≤ T < -328°F)  Over-range: 850°C < T ≤ 860°C (1,562°F < T ≤ 1,580°F)
	PT1000 0.00385 0.00392		
	RTD NI100 0.00618	-100°C ≤ T ≤ 260°C (-148°F ≤ T ≤ 500°F)	Under-range: -150°C ≤ T < -100°C (-238°F ≤ T < -148°F)  Over-range: 260°C < T ≤ 270°C (500°F < T ≤ 518°F)
	NI1000 0.00618		
	RTD NI120 0.00672	-80°C ≤ T ≤ 260°C (-112°F ≤ T ≤ 500°F)	Under-range: -130°C ≤ T < -80°C (-202°F ≤ T < -112°F)  Over-range: 260°C < T ≤ 270°C (500°F < T ≤ 518°F)
	RTD NI100 0.00617	-60°C ≤ T ≤ 180°C (-76°F ≤ T ≤ 356°F)	Under-range: -104°C ≤ T < -60°C (-219°F ≤ T < -76°F)  Over-range: 180°C < T ≤ 210°C (356°F < T ≤ 410°F)
	RTD NI1000 LG	-50°C ≤ T ≤ 190°C (-58°F ≤ T ≤ 374°F)	Under-range: -60°C ≤ T < -50°C (-76°F ≤ T < -58°F)  Over-range: 190°C < T ≤ 200°C (374°F < T ≤ 392°F)
Thermocouple type J	-200°C ≤ T ≤ 1,200°C (-328°F ≤ T ≤ 2,192°F)	Under-range: -210°C ≤ T < -200°C (-346°F ≤ T < -328°F)  Over-range: 1,200°C < T ≤ 1,250°C (2,192°F < T ≤ 2,282°F)	
Thermocouple type K	-200°C ≤ T ≤ 1,372°C (-328°F ≤ T ≤ 2,501.6°F)	Under-range: -270°C ≤ T < -200°C (-454°F ≤ T < -328°F)  Over-range: 1,372°C < T ≤ 1,400°C (2,501.6°F < T ≤ 2,552°F)	

Thermocouple type T	$-200^{\circ}\text{C} \leq T \leq 400^{\circ}\text{C}$ ( $-328^{\circ}\text{F} \leq T \leq 752^{\circ}\text{F}$ )	Under-range: $-270^{\circ}\text{C} \leq T < -200^{\circ}\text{C}$ ( $-454^{\circ}\text{F} \leq T < -328^{\circ}\text{F}$ ) Over-range: $400^{\circ}\text{C} < T \leq 430^{\circ}\text{C}$ ( $752^{\circ}\text{F} < T \leq 806^{\circ}\text{F}$ )
Thermocouple type E	$-200^{\circ}\text{C} \leq T \leq 1,000^{\circ}\text{C}$ ( $-328^{\circ}\text{F} \leq T \leq 1,832^{\circ}\text{F}$ )	Under-range: $-270^{\circ}\text{C} \leq T < -200^{\circ}\text{C}$ ( $-454^{\circ}\text{F} \leq T < -328^{\circ}\text{F}$ ) Over-range: $1,000^{\circ}\text{C} < T \leq 1,010^{\circ}\text{C}$ ( $1,832^{\circ}\text{F} < T \leq 1,850^{\circ}\text{F}$ )
Thermocouple type R	$0^{\circ}\text{C} \leq T \leq 1,768^{\circ}\text{C}$ ( $32^{\circ}\text{F} \leq T \leq 3,214.4^{\circ}\text{F}$ )	Under-range: $-50^{\circ}\text{C} \leq T < 0^{\circ}\text{C}$ ( $-58^{\circ}\text{F} \leq T < 32^{\circ}\text{F}$ ) Over-range: $1,768^{\circ}\text{C} < T \leq 1,800^{\circ}\text{C}$ ( $3,214.4^{\circ}\text{F} < T \leq 3,272^{\circ}\text{F}$ )
Thermocouple type S	$0^{\circ}\text{C} \leq T \leq 1,768^{\circ}\text{C}$ ( $32^{\circ}\text{F} \leq T \leq 3,214.4^{\circ}\text{F}$ )	Under-range: $-50^{\circ}\text{C} \leq T < 0^{\circ}\text{C}$ ( $-58^{\circ}\text{F} \leq T < 32^{\circ}\text{F}$ ) Over-range: $1,768^{\circ}\text{C} < T \leq 1,800^{\circ}\text{C}$ ( $3,214.4^{\circ}\text{F} < T \leq 3,272^{\circ}\text{F}$ )
Thermocouple type B	$200^{\circ}\text{C} \leq T \leq 1,820^{\circ}\text{C}$ ( $392^{\circ}\text{F} \leq T \leq 3,308^{\circ}\text{F}$ )	Under-range: $100^{\circ}\text{C} \leq T < 200^{\circ}\text{C}$ ( $212^{\circ}\text{F} \leq T < 392^{\circ}\text{F}$ ) Over-range: $1,820^{\circ}\text{C} < T \leq 1,870^{\circ}\text{C}$ ( $3,308^{\circ}\text{F} < T \leq 3,398^{\circ}\text{F}$ )
Thermocouple type N	$-210^{\circ}\text{C} \leq T \leq 1,300^{\circ}\text{C}$ ( $-346^{\circ}\text{F} \leq T \leq 2,372^{\circ}\text{F}$ )	Under range: $-270^{\circ}\text{C} \leq T < -210^{\circ}\text{C}$ ( $-454^{\circ}\text{F} \leq T < -346^{\circ}\text{F}$ ) Over-range: $1,300^{\circ}\text{C} < T \leq 1,350^{\circ}\text{C}$ ( $2,372^{\circ}\text{F} < T \leq 2,462^{\circ}\text{F}$ )
Thermocouple type C	$10^{\circ}\text{C} \leq T \leq 2,315^{\circ}\text{C}$ ( $50^{\circ}\text{F} \leq T \leq 4,199^{\circ}\text{F}$ )	Under-range: $0^{\circ}\text{C} \leq T < 10^{\circ}\text{C}$ ( $32^{\circ}\text{F} \leq T < 50^{\circ}\text{F}$ ) Over-range: $2,315^{\circ}\text{C} < T \leq 2,370^{\circ}\text{C}$ ( $4,199^{\circ}\text{F} < T \leq 4,298^{\circ}\text{F}$ )
Resistance	$0\Omega \leq R \leq 390\Omega$	$390\Omega < R \leq 395.85\Omega$
mV	$-70\text{mV} \leq V \leq 70\text{mV}$	Under-range: $-71.05\text{mV} \leq V < -70\text{mV}$ Over-range: $70\text{mV} \leq V < 71.05\text{mV}$
* <b>Overflow or Underflow</b> <sup>(11)</sup> is declared when an input value exceeds the Over-range or Under-range boundaries respectively.		

Absolute maximum rating	±9 V				
Isolation voltage					
Input to bus	500 VAC for 1 minute				
Input to input	None				
Input to analog inputs	None				
Conversion method	Delta-sigma				
Resolution	Temperature – 0.1°C (0.1°F) <sup>(14)</sup> Resistance – 14 bits mV – 13 bits plus sign				
Accuracy (25°C / -20°C to 55°C)	<b>Input type</b>	<b>Accuracy</b>			
	RTD, all types	± 0.5°C / ± 1.0°C (± 0.9°F / ± 1.8°F)			
	Thermocouple type J <sup>(15)</sup>	± 0.4°C / ± 0.7°C (± 0.72°F / ± 1.26°F)			
	Thermocouple type K <sup>(15)</sup>	± 0.5°C / ± 1.0°C (± 0.9°F / ± 1.8°F)			
	Thermocouple type T <sup>(15)</sup>	± 0.6°C / ± 1.2°C (± 1.08°F / ± 2.16°F)			
	Thermocouple type E <sup>(15)</sup>	± 0.4°C / ± 0.8°C (± 0.72°F / ± 1.44°F)			
	Thermocouple type R <sup>(15)</sup>	± 1.2°C / ± 2.4°C (± 2.16°F / ± 4.32°F)			
	Thermocouple type S <sup>(15)</sup>	± 1.2°C / ± 2.4°C (± 2.16°F / ± 4.32°F)			
	Thermocouple type B <sup>(15)</sup>	± 2.0°C / ± 3.8°C (± 3.46°F / ± 6.84°F)			
	Thermocouple type N <sup>(15)</sup>	± 1.0°C / ± 1.5°C (± 1.8°F / ± 2.7°F)			
	Thermocouple type C <sup>(15)</sup>	± 0.8°C / ± 2.0°C (± 1.44°F / ± 3.46°F)			
	Resistance	± 0.05% / ± 0.1% of full scale			
mV	± 0.05% / ± 0.1% of full scale				
Noise rejection	10Hz, 50Hz, 60Hz, 400Hz				
Step response <sup>(10)</sup> (0 to 100% of final value)	<b>Smoothing</b>	<b>Noise Rejection Frequency</b>			
		<b>400Hz</b>	<b>60Hz</b>	<b>50Hz</b>	<b>10Hz</b>
	None	162.4ms	249.5ms	249.5ms	1242.4ms
	Weak	317.3ms	491.5ms	491.5ms	2477.3ms
	Medium	627.2ms	975.4ms	975.4ms	4947ms
Strong	1246.9ms	1943.3ms	1943.3ms	9886.5ms	
Update time <sup>(10)</sup>	<b>Noise Rejection Frequency</b>			<b>Update Time</b>	
	400Hz			154.9ms	
	60Hz			242ms	
	50Hz			242ms	
10Hz			1234.9ms		
Thermocouple Cold junction error <sup>(15)</sup>	±1.5°C (±2.7°F)				
Cable	Shielded, see installation guide for details				
Diagnostics <sup>(11)</sup>	Input Overflow or Underflow, sensor connection fault <sup>(16)</sup>				



<b>Relay Outputs (USx-BX-RA28)</b>	
Number of outputs	8
Output type	Relay, SPST-NO (Form A)
Isolation groups	Two groups of 4 outputs each
Isolation voltage	
Group to bus	1,500VAC for 1 minute
Group to group	1,500VAC for 1 minute
Output to output within group	None
Current	2A maximum per output (Resistive load)
Voltage	250VAC / 30VDC maximum
Minimum load	1mA, 5VDC
Switching time	10ms maximum
Short-circuit protection	None
Life expectancy <sup>(17)</sup>	100k operations at maximum load

<b>Source Transistor Outputs (USx-Bx-TA30)</b>	
Number of outputs	10
Output type	Transistor, Source (pnp)
Isolation voltage	
Output to bus	500VAC for 1 minute
Output to output	None
Outputs power supply to bus	500VAC for 1 minute
Outputs power supply to output	None
Current	0.5A maximum per output
Voltage	See Source Transistor Outputs Power Supply specification below
ON state voltage drop	0.5V maximum
OFF state leakage current	10 $\mu$ A maximum
Switching times	Turn-on/off: 80 $\mu$ s max. (Load resistance < 4k $\Omega$ )
PWM Frequency <sup>(18)</sup>	O0, O1: 3kHz max. (Load resistance < 4k $\Omega$ )
Short-circuit protection	Yes

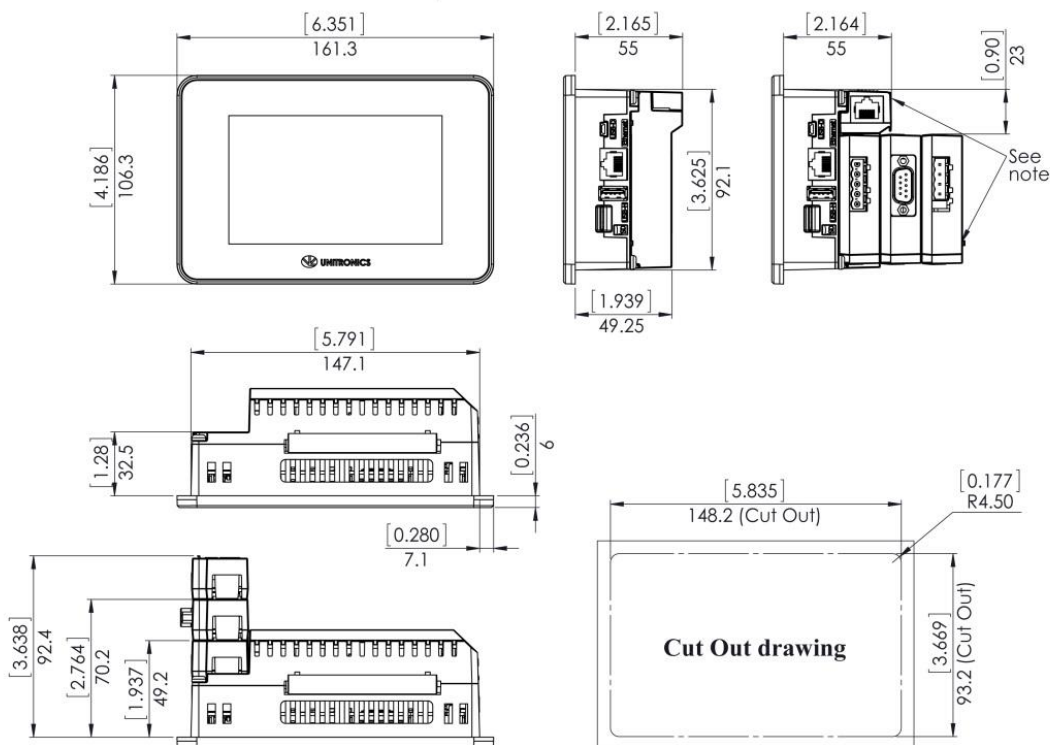
Source Transistor Outputs Power Supply (USx-Bx-TA30)	
Nominal operating voltage	24VDC
Operating voltage	20.4 – 28.8VDC
Maximum current consumption	30mA@24VDC Current consumption does not include load current

Analog Outputs			
Number of outputs	2		
Output range <sup>(19)</sup>	<b>Output Type</b>	<b>Nominal Values</b>	<b>Over/Under-range Values *</b>
	0 ÷ 10VDC	$0 \leq V_{out} \leq 10VDC$	$10 < V_{out} \leq 10.15VDC$
	-10 ÷ 10VDC	$-10 \leq V_{out} \leq 10VDC$	$-10.15 \leq V_{out} < -10VDC$ $10 < V_{out} \leq 10.15VDC$
	0 ÷ 20mA	$0 \leq I_{out} \leq 20mA$	$20 \leq I_{out} \leq 20.3mA$
	4 ÷ 20mA	$4 \leq I_{out} \leq 20mA$	$20 \leq I_{out} \leq 20.3mA$
* <b>Overflow or Underflow</b> is declared when an output value exceeds the Over-range or Under-range boundaries respectively.			
Isolation	None		
Resolution	0 ÷ 10VDC – 12 bit -10 ÷ 10VDC – 11 bit + sign 0 ÷ 20mA – 12 bit 4 ÷ 20mA – 12 bit		
Accuracy (25°C /-20°C to 55°C)	±0.3% / ±0.5% of full scale (Voltage) ±0.5% / ±0.7% of full scale (Current)		
Load impedance	Voltage – 1kΩ minimum Current – 600Ω maximum		
Settling time (95% of new value)	0 ÷ 10VDC – 1.8ms (2kΩ resistive load), 3.7ms (2kΩ + 1uF load) -10 ÷ 10VDC – 3ms (2kΩ resistive load), 5.5ms (2kΩ + 1uF load) 0 ÷ 20mA and 4 ÷ 20mA – 1.7ms (600Ω load), 1.7ms (600Ω + 10mH load)		
Short circuit protection (voltage mode)	Yes (no indication)		
Cable	Shielded twisted pair		
Diagnostics <sup>(11)</sup>	Current – Open circuit indication Supply level – Normal / Low or missing		

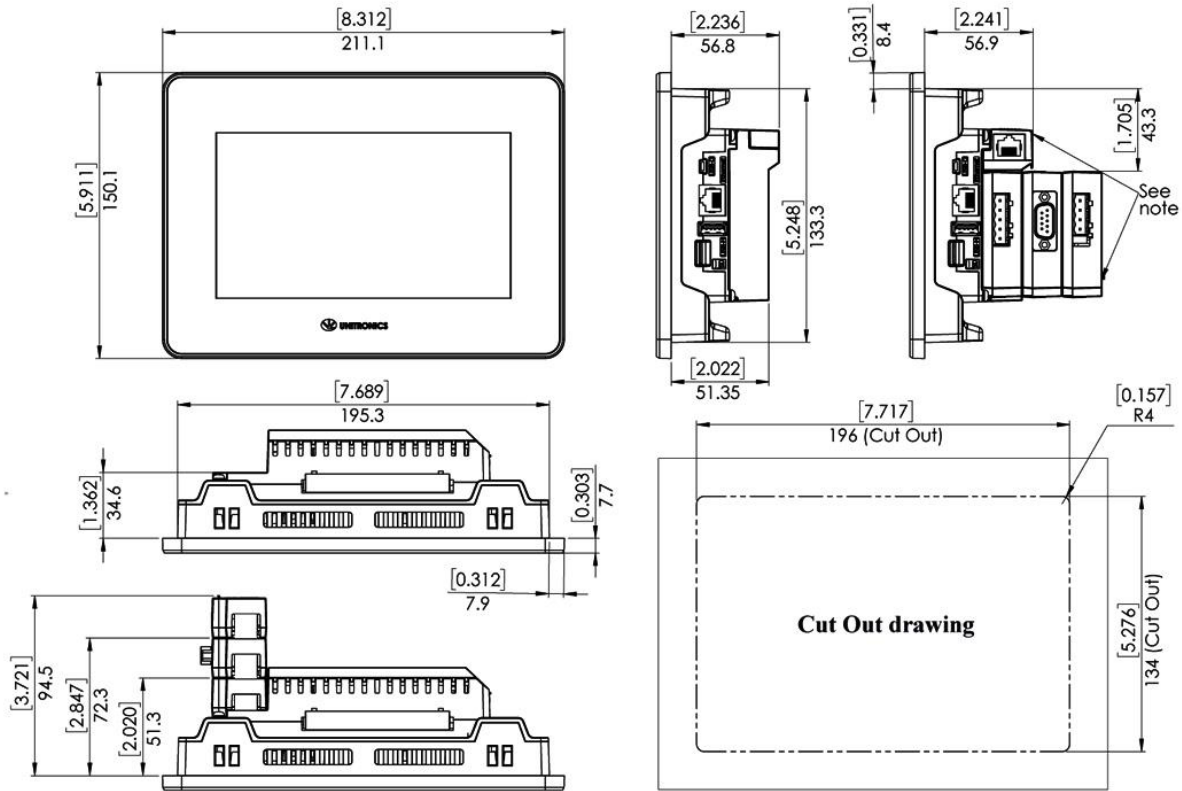
Environmental	
Protection	Front face : IP65/66, NEMA 4X Rear side: IP20, NEMA1
Operating temperature	-20°C to 55°C (-4°F to 131°F)
Storage temperature	-30°C to 70°C (-22°F to 158°F)
Relative Humidity (RH)	5% to 95% (non-condensing)
Operating Altitude	2,000 m (6,562 ft)
Shock	IEC 60068-2-27, 15G, 11ms duration
Vibration	IEC 60068-2-6, 5Hz to 8.4Hz, 3.5mm constant amplitude, 8.4Hz to 150Hz, 1G acceleration

Dimensions		
	Weight	Size
<b>US5-Bx-RA28</b>	0.4 Kg (0.88 lb)	Refer to the images on page 11
<b>US5-Bx-TA30</b>	0.39 Kg (0.86 lb)	
<b>US7-Bx-RA28</b>	0.7 Kg (1.54 lb)	Refer to the images on page 12
<b>US7-Bx-TA30</b>	0.68 Kg (1.49 lb)	

**UniStream 5"**



UniStream 7"



Notes:

1. Four of the digital inputs (I10-I13) may be configured to function either as normal, or as high speed digital inputs, that can receive high speed pulse signals from up to two sensors or shaft encoders.
2. Panel's longevity is the typical operating time after which the brightness drops to 50% of its original level.
3. UAG-CX Expansion Adapter Kits comprise a Base unit, an End unit, and a connecting cable. You plug the Base Unit into the controller's I/O Expansion Jack and connect standard UniStream Uni-I/O™ modules. For more information, refer to the product's installation guide and technical specifications.
4. Uni-COM™ CX modules plug directly into the Uni-COM™ CX Module Jack on the back of the controller.  
 UAC-CX modules may be installed in the following configurations:
  - If a module comprising a serial port is plugged directly into to the back of UniStream®, it may be followed only by another serial module, for a total of 2.
  - If your configuration includes a CANbus module, it must be plugged directly to the back of UniStream. The CANbus module may be followed by up to two serial modules, for a total of 3.
 For more information, refer to the product's installation guide and technical specifications.
5. When replacing the unit's battery, make sure that the new one has environmental specifications that are similar or better than the one specified in this document.
6. The USB device port is used to connect the device to a PC.
7. The 4-20mA input option is implemented using 0-20mA input range.
8. The analog inputs measure values that are slightly higher than the nominal input range (Input Over-range).

Note that when the input overflow occurs, it is indicated in the corresponding I/O Status tag while the input value is registered as the maximum permissible value. For example, if the specified input

range is 0 ÷ 10V, the Over-range values can reach up to 10.15V, and any input voltage higher than that will still register as 10.15V while the Overflow system tag is turned on.

9. The diagnostics results are indicated in the system tags and can be observed through the UniApps™ or the online state of the UniLogic®.
10. Step response and update time are independent of the number of channels that are used.
11. Note that the diagnostics results are also indicated in the system tags and can be observed through the UniApps™ or the online state of the UniLogic®.
12. The controller inherently supports 3-wire sensors.  
4-wire sensors may be connected by utilizing 3 of the sensor wires; in-order to achieve the specified performance, all sensor wires shall be of identical type and length just as with a 3-wire sensor connection.  
2-wire sensors may also be connected; performance in this case will degrade because of the wires` resistance.  
Refer to the controller installation guide for detailed installation instructions.
13. The controller temperature inputs measure values that are slightly higher or lower than the nominal input range (Input Over/Under-range respectively).  
Note that when input Overflow, Underflow or a connection fault occurs, it is indicated in the corresponding I/O Status tag (refer to the UniLogic® help for details) while the input value is registered as follows:

<b>Fault Type</b>	<b>Registered Value in the Input Tag</b>
Overflow	32,767
Underflow	-32,767
Connection fault	-32,768

14. For temperature measurement, the value is represented in 0.1° units. For example, a temperature of 12.3° is represented as 123 at the Value tag.
15. The overall accuracy for thermocouples is a combination of the per-sensor specified accuracy and the thermocouple cold junction error specification.
16. Sensor connection fault check is active by default for temperature, resistance and mV measurements. This may interfere with some test equipment like RTD, thermocouple, resistance and voltage simulators and thus may induce reading errors or cause malfunction of the test equipment and/or the controller.  
In order to interoperate correctly with such equipment, you may set the Disable Fault Detection I/O tag. This will disable connection fault check for all inputs.  
Note that when this tag is set, the controller will not check, or report, connection faults; thus, the reading in such case is unpredictable.
17. Life expectancy of the relay contacts depends on the application that they are used in. The product's installation guide provides procedures for using the contacts with long cables or with inductive loads.
18. Outputs O0 and O1 can be configured as either normal digital outputs or as PWM outputs. PWM outputs specifications apply only when outputs are configured as PWM outputs.
19. The controller analog outputs are able to output values that are slightly higher or lower (if applicable) than the nominal output range (Output Over/Under-range respectively).

The information in this document reflects products at the date of printing. Unitronics reserves the right, subject to all applicable laws, at any time, at its sole discretion, and without notice, to discontinue or change the features, designs, materials and other specifications of its products, and to either permanently or temporarily withdraw any of the forgoing from the market.

All information in this document is provided "as is" without warranty of any kind, either expressed or implied, including but not limited to any implied warranties of merchantability, fitness for a particular purpose, or non-infringement. Unitronics assumes no responsibility for errors or omissions in the information presented in this document. In no event shall Unitronics be liable for any special, incidental, indirect or consequential damages of any kind, or any damages whatsoever arising out of or in connection with the use or performance of this information.

The tradenames, trademarks, logos and service marks presented in this document, including their design, are the property of Unitronics (1989) (R"G) Ltd. or other third parties and you are not permitted to use them without the prior written consent of Unitronics or such third party as may own them.