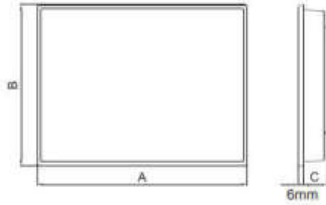


K2 Series HMI Panels

Outlet Dimension



Cut Out Dimension



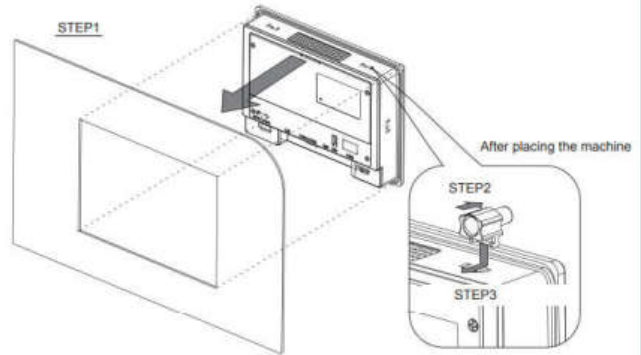
Model	A	B	C*	L	H
_K2043-20ST	129mm/5.08"	103mm/4.06"	33mm/1.30"	118.5mm/4.67"	92.5mm/3.64"
_K2070-30ST	203.5mm/8.01"	148.5mm/5.85"	35mm/1.38"	191.5mm/7.54"	137.5mm/5.41"
_K2100-30ST	270.8mm/10.66"	212.8mm/8.38"	40.5mm/1.59"	259.5mm/10.22"	201.5mm/7.93"

* K2043 including COM2 5pin-Terminal(optional)

* K2070& A2100/ K2100 including Power Connector

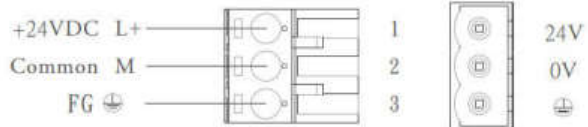
1

Installation Drawing



Power Supply

⚠ Powered by a Low Voltage / Limited Energy power source.



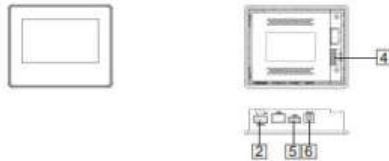
⚠ Do not open the rear cover of the panel when power is applied.

⚠ Be sure that the power supply has enough power capacity for the operation of the equipment.

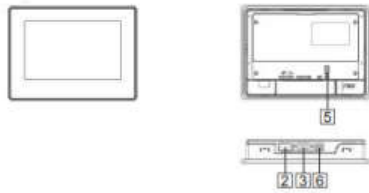
2

Function View

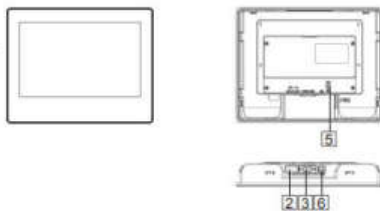
_K2043-20ST



_K2070-30ST



_K2100-30ST



- 1 Front Function Key
- 2 Power connector
- 3 COM1&2&3 9Pin Female
- 4 COM1&3 5Pin Terminal
- 5 USB Host
- 6 USB Client
- 7 Power LED
- 8 Front USB Connector(Optional)

3

Dispose of batteries



⚠ Dispose of batteries according to local regulations.

Connections

Model	Terminal / Connector	Pin	Description
_K2043	COM1 & COM3 5 Pin Terminal /	1	RS422 TXD+ / RS485 + (COM2)
		2	RS232 RXD (COM1)
_K2070 & _K2100	COM1 & COM2 & COM3 DB-9-Female /	3	RS232 TXD (COM1)
		4	RS422 RXD+ (COM2)
		5	SG
		6	RS422 TXD- / RS485 - (COM2)
		7	RS485 - (COM3)
		8	RS485 + (COM3)
		9	RS422 RXD- (COM2)

The products have been designed for use in an industrial environment in compliance with the 2014/30/EU directive.

The products have been designed in compliance with:

- EN 61000-6-4: 2007 +A1: 2011
- EN 61000-3-2: 2014
- EN 61000-3-3: 2013
- EN 61000-6-2: 2005 / AC: 2005
- IEC 61000-4-2: 2008; IEC 61000-4-3: 2006 + A1: 2007 + A2: 2010;
- IEC 61000-4-4: 2012; IEC 61000-4-5: 2014; IEC 61000-4-6: 2013;
- IEC 61000-4-8: 2009; IEC 61000-4-11: 2004

The installation of these devices into the residential, commercial and light-industrial environments is allowed only in the case that special measures are taken in order to get the conformity to IEC-61000-6-3.

Reproduction of the contents of this copyrighted document, in whole or part without written permission of Cermate Technologies Inc., is prohibited.

4