



CTU2646 – BACnet/Modbus I/O Card



Input/Output card for BACnet and Modbus communication net

General

The CTU2646 is an Input/Output (I/O) card for BACnet and Modbus communication net, designed to control various devices from software.

Communication protocol selectable by DIP switch.

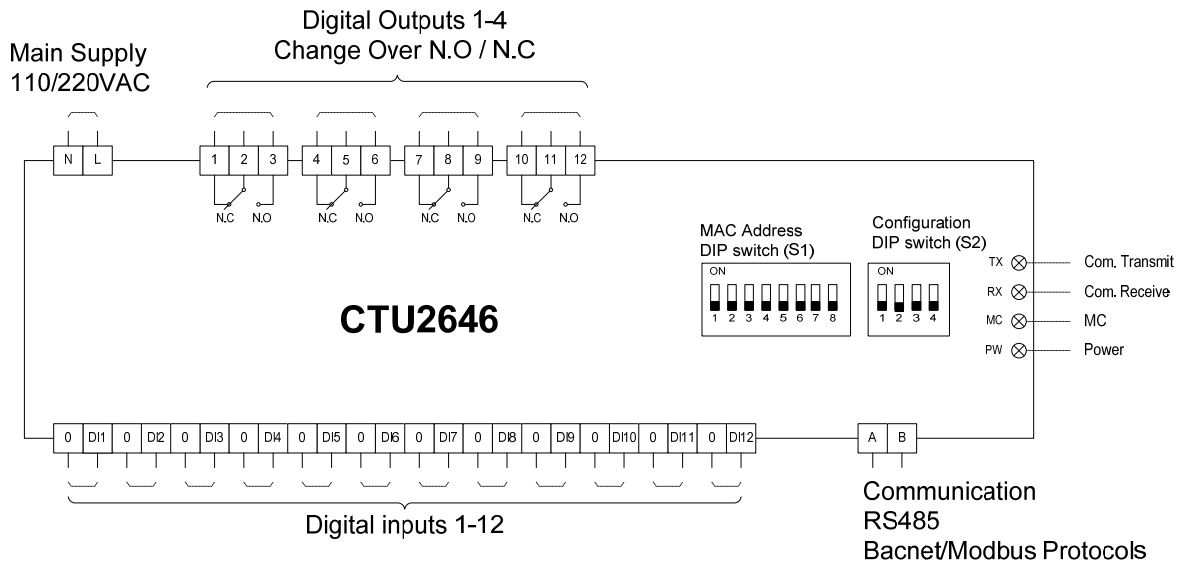
It has 12 inputs, dry contact to view the status of any device or other input connected and 4 outputs with change over from Normally Open to Normally Closed to control any device, such as:

- Air compressor
- Chiller
- Fresh air damper
- Lights
- Pump
- Fans

Features

- RS485 communication port – BACnet (BTL certified) and Modbus operation selectable by DIP switch.
- 4 Digital Outputs – Available in either 230VAC, 110VAC
- Selectable Digital outputs configuration N.O/N.C
- 12 Digital Inputs – voltage free – dry contact
- Easy connection to Din Rail
- MAC Address selection by DIP Switches

Electrical Diagram



Dimensions

Length	157 mm
Width	90 mm
Height	40 mm

Specifications

Power Supply	230VAC, 110VAC
Flammability	UL94V-0

Accessories

Part Number	Description
TS01	Temperature Sensor – 80 cm cable
RS01	Temperature Sensor into decorative box
RS02	Average Temperature Sensor into decorative box