

CTU 2601 - BACnet I/O card



Input / Output card for BACnet communication net

General

The CTU-2601 is an Input / Output (I/O) card for BACnet communication net, designed to control various devices from software.

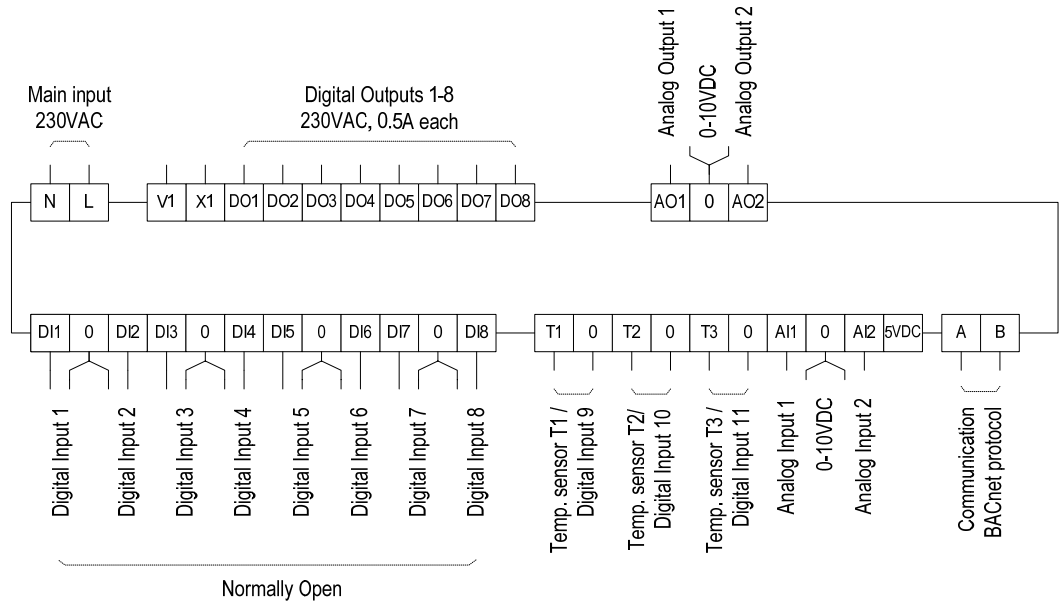
It has 8 inputs, dry contact to view the status of any device or other input connected and 8 outputs to control any device, such as:

- Air compressor
- Chiller
- Fresh air damper
- Lights
- Pump
- Fans

The CTU-2601 also offers 3 Temperature sensor inputs in order to view temperature in different locations, 2 analog inputs and 2 analog outputs.

Features

- 8 Digital Outputs – Available in either 230VAC, 110VAC or 24VAC
- 2 Analog Outputs, 0-10VDC
- 8 Digital Inputs – voltage free – dry contact
- 2 Analog Inputs, 0-10VDC
- 3 Temperature reading Inputs (50KΩ @ 25°C) (which may be used as Digital Inputs – Dry contact as well)
- Easy connection to Din Rail
- MAC Address selection by DIP Switches
- CE certification
- BTL certified

Electrical Diagram

Dimensions

Length	205 mm
Width	96 mm
Height	60 mm
Weight	0.545 Kg

Specifications

Power Supply	230VAC, 110VAC or 24VAC
Flammability	UL94V-0

Accessories

Part Number	Description
TS01	Temperature Sensor – 80 cm cable
RS01	Temperature Sensor into decorative box
RS02	Average Temperature Sensor into decorative box