

CTU-2524-AC-SUPER-WET



Main Controller for Air Conditioning in Building Management System (B.M.S.) applications, with RS-485 interface to BACnet protocol and multiple outputs for Cool/Heat and Heat Pump

General

The CTU2524-AC-SUPER is a main controller for Air Conditioning in B.M.S. applications with BACnet Protocol interface. It has a modular, user-friendly design with various A/C applications built-in, field selectable. This modularity allows you to have one main controller for different A/C applications and suit it according to customer's needs on the spot.

The CTU2524-AC-SUPER also offers cost efficient capabilities, such as, occupancy sensor or window contact inputs and smart algorithm for maximum energy saving.

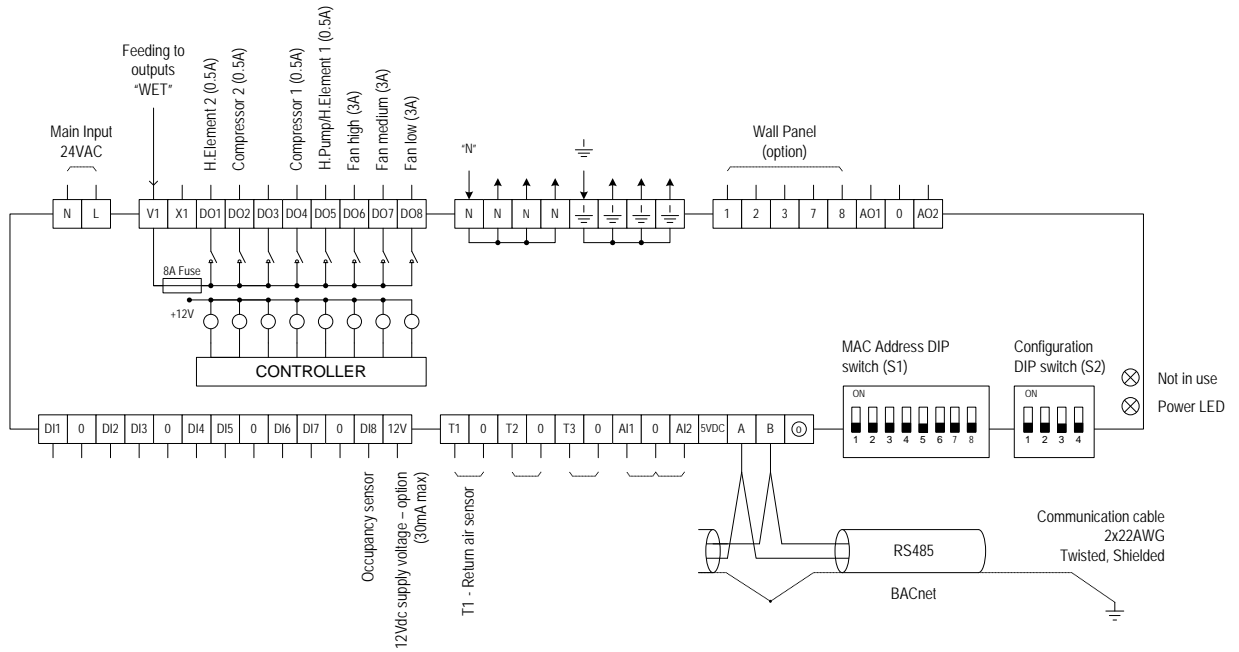
The CTU2524-AC-SUPER is factory pre-programmed to save valued time on field programming.

Features

- Main input – 24VAC
- User selectable application:
 - Heat/Cool or Heat Pump
 - Electrical heater or Oil/Gas
 - Heat Pump in Heat or in Cool
- T1 sensor – Return Air Sensor
- T2 sensor – outdoor sensor for deice in Heat mode or overheat in cool Mode
- T3 sensor - Indoor coil sensor for Heat (soft-start)
- Fault (1) input, dry contact, Normally Closed, when open all outputs turn off
- Fault (2) input dry contact, for Occupancy Sensor
- 3 Speeds output- 24VAC, 3Amp each - with Auto Speed function
- Fan Only - selectable
- Occupancy Sensor (12VDC supply) – adjustable 0...3600 sec.
- Condensing Pump output -24VAC, 1A
- Wall & flush mount panels, or IR panel - option



Electrical Diagram



Dimensions

Length	205 mm
Width	96 mm
Height	60 mm
Weight	0.545 Kg

Specifications

Input Voltage	24Vac, \pm 50Hz
Flammability	UL94V-0

Accessories

Part Number	Description
FMH-X500	FMH - 2500 – Flush Mount panel- Horizontal
ETN-X500	ETN - 2500 – Surface Mount panel
FMT-X500	FMH - 2500 – Flush Mount panel- Vertical
IRP-X500	Receiver panel for remote control
RT03	IR remote control
TS01	Temperature Sensor - 80 cm Cable
RS01	Temperature Sensor into decorative box
RS02	Average Temperature Sensor into decorative box